

# PRODUCT SPECIFICATION

---

Single-dual Color LED Control Card  
**HD-U62**

V2.1

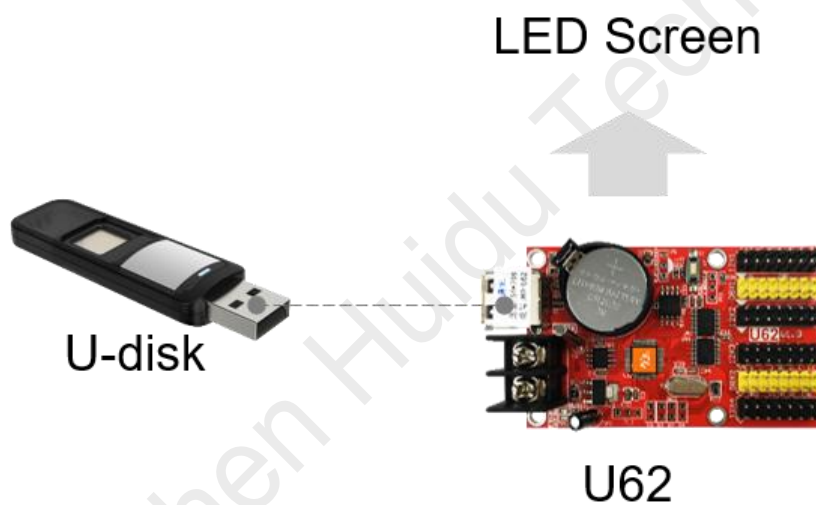
## 1. Overview

HD-U62 (referred to as U62) is a monochrome LED display control card with USB interface communication, updating programs and debugging parameters via U-Disk. It can display text, clock, timekeeping, lunar calendar and so on. The supporting software has a simple interface, easy to operate, and at the same time, it is characterized by high cost performance.

Application Software: HDSign (HD2020);

## 2. Connection Diagram

### Single-dual Color LED Display

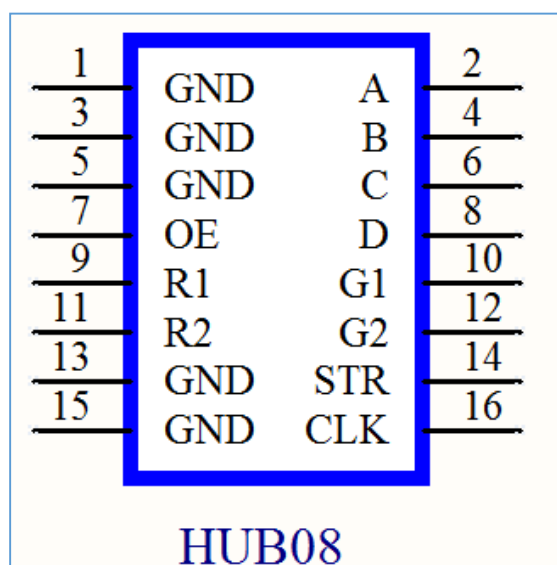
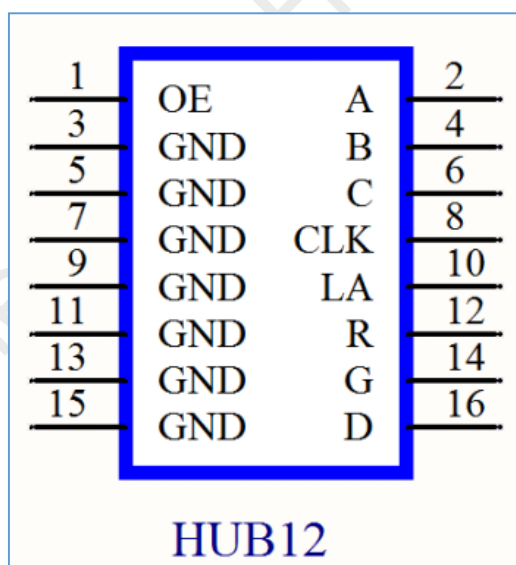


## 3. Function List

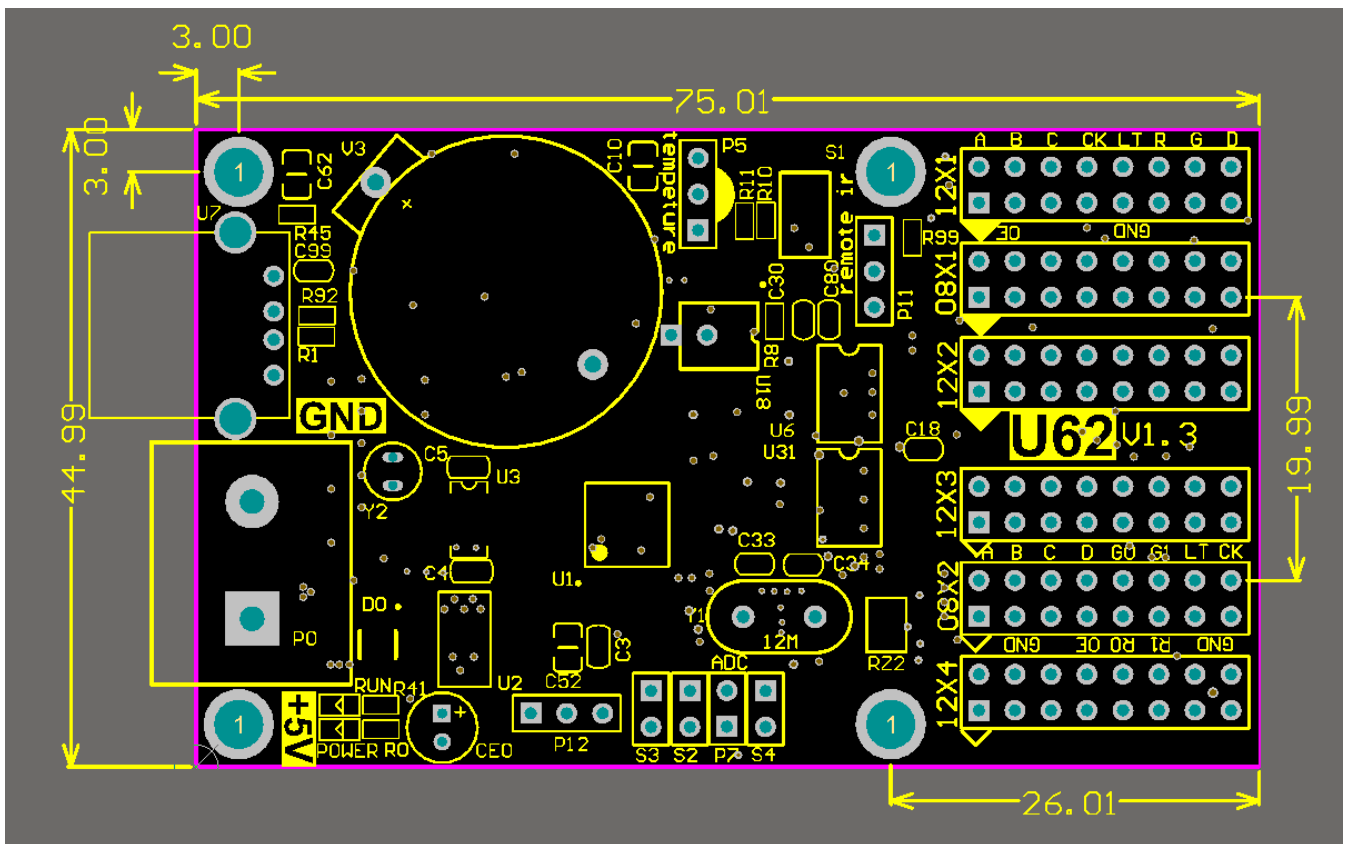
Functional item	Functional description
Control range	Single color: 768* 64, Max Width: 1536 Max Height: 64; Dual color 384*64
FLASH Capacity	8M Byte (Practical usage 2.98MB)

Communication	U-Disk
Program Quantity	Max 1000pcs Programs. Support play by time section or control by buttons.
Area Quantity	20 areas with separate zone, and separated special effects and border
Display Showing	Text、 Animated text、 3DText、 Animation (Picture、 SWF) 、 Excel、 Time、 Temperatures (humidity) 、 Timekeeping、 Count、 Lunar calendar
Display	Sequence display, button switch, remote control
Clock function	<ol style="list-style-type: none"> <li>1、 Support Digital Clock/ Dial Clock / Lunar Time</li> <li>2、 Countdown /Count up, Button Countdown / Count up</li> <li>3、 The font、 size、 color and position can be set freely</li> <li>4、 Support multiple time zones</li> </ol>
Extended Equipment	Temperatures、 Humidity、 IR Remoter、 Photosensitive sensors、 etc.
Automatic switch screen	Support timer switch machine
Dimming	Support three brightness adjustment mode

## 4. Port Definition

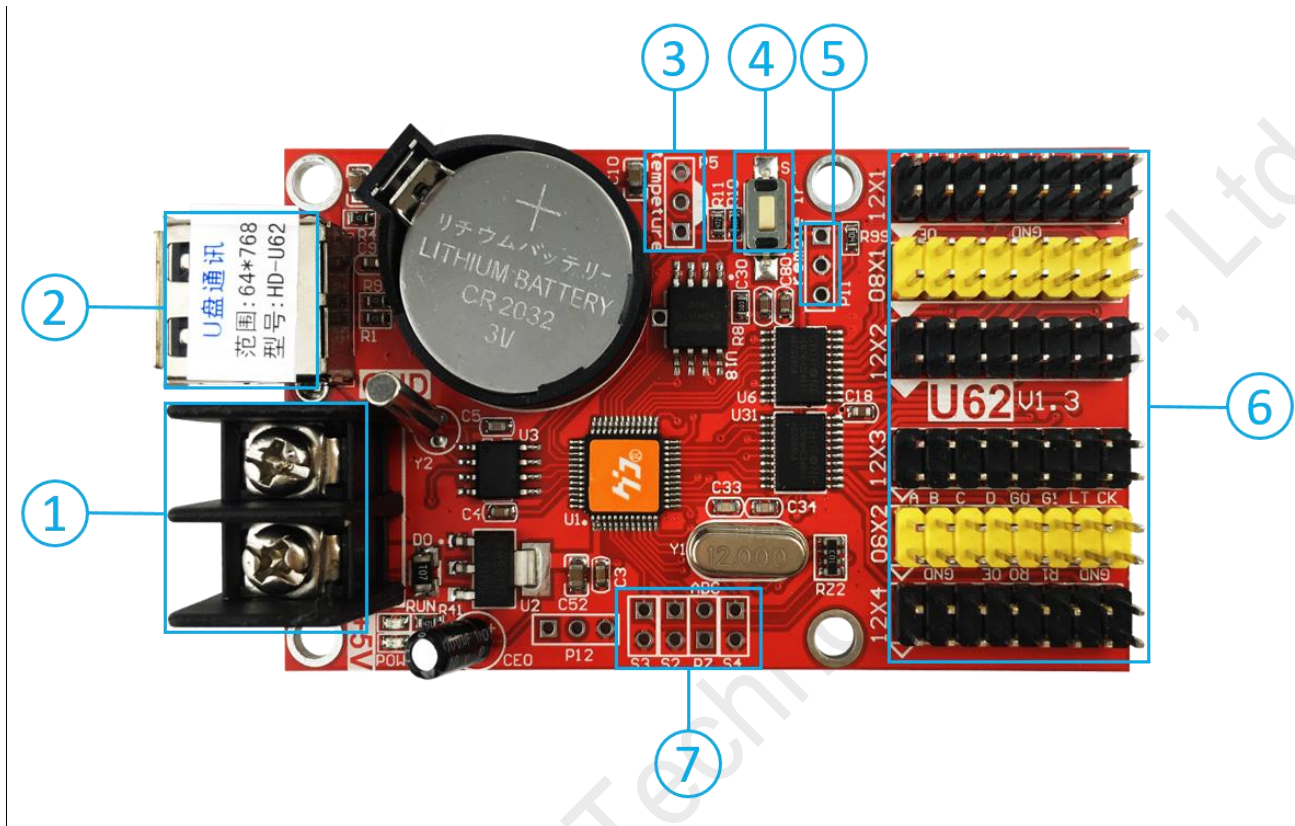


## 5. Size Diagram



Shenzhen Huidu

## 6. Interface Description



Serial number	Name	Description
1	Power input	Connect to a 5V DC power supply
2	USB ports	Updated program by U-disk
3	P5	Connecting temperature/humidity sensor
4	S1	click to switch screen test status
5	P11	Connect the IR, by remote control.
6	HUB ports	4 HUB12, 2 HUB08F connecting to the display
7	External Keypad Interface	S2: Connect the point switch, switch to the next program, the timer starts, count plus S3: Connect the point switch, switch the previous program, timer reset, count down S4: Connect the point switch, program control, timing pause, count reset

## 7. Basic Parameters

Parameter Term	Parameter Value
Work voltage (V)	DC 4.2V-5.5V
Work temperature (°C)	-40°C~80°C
Work humidity (RH)	0~95%RH
Storage temperature(°C)	-40°C~105°C

### Precautions:

- 1) To ensure that the control card is stored during normal operation, make sure the battery on the control card is not loose;
- 2) In order to ensure the long-term stable operation of the system; please try to use the standard 5V power supply voltage.