

PRODUCT SPECIFICATION

Single Color LED Wi-Fi Control Card
HD-W2

1. Overview

HD-W2 (referred to as W2) is a single color Wi-Fi control card for banner screen, store sign screen and other occasions, which can display text, clock, counting, timing and other kinds of content, and support cell phone, laptop wireless connection to update the program. Supporting software interface is simple, easy to operate, and at the same time has high cost-effective and so on.

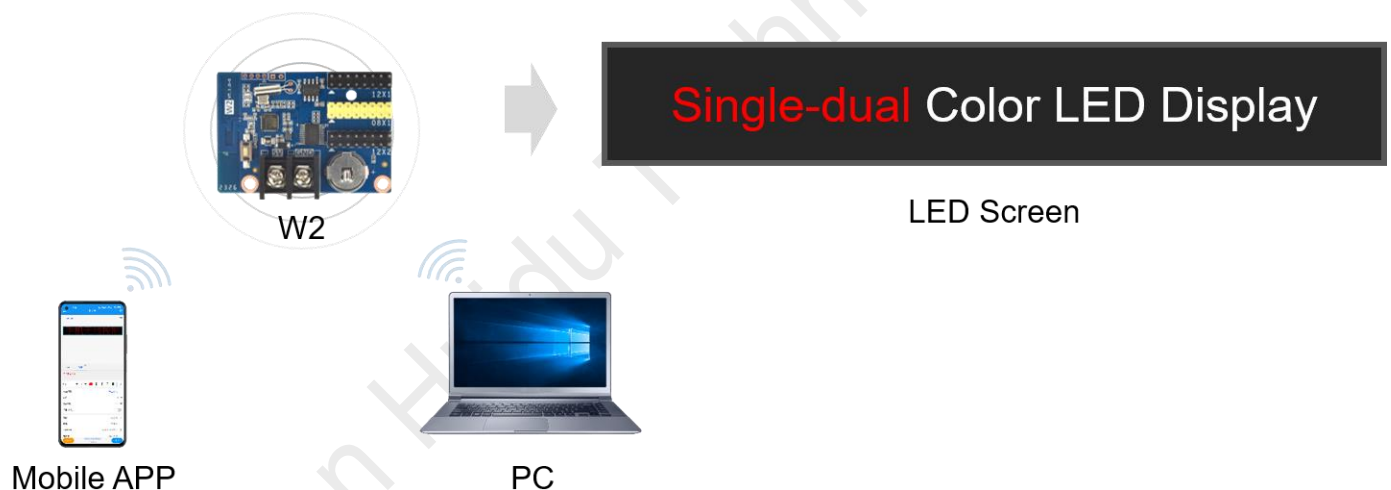
Application Software:

PC: HDSign (HD2020);

Mobile: "LedArt APP" and "LedArt lite APP";

2. Connection Diagram

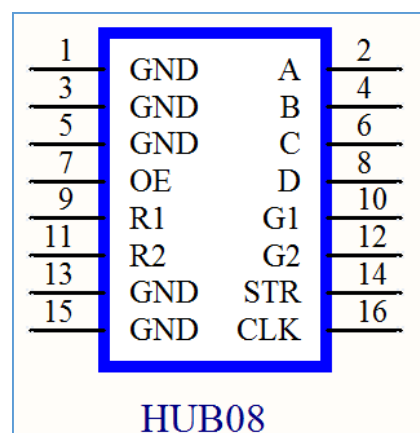
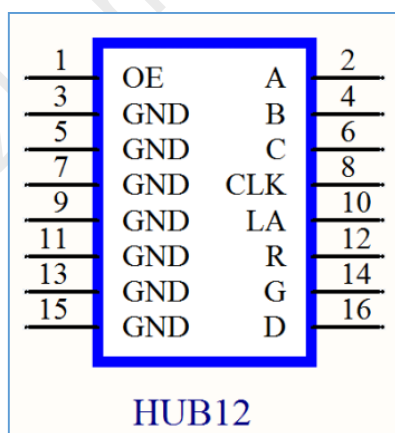
After the Wi-Fi control card is powered on, cell phones and laptops can connect to the control card's Wi-Fi hotspot for debugging or updating programs.



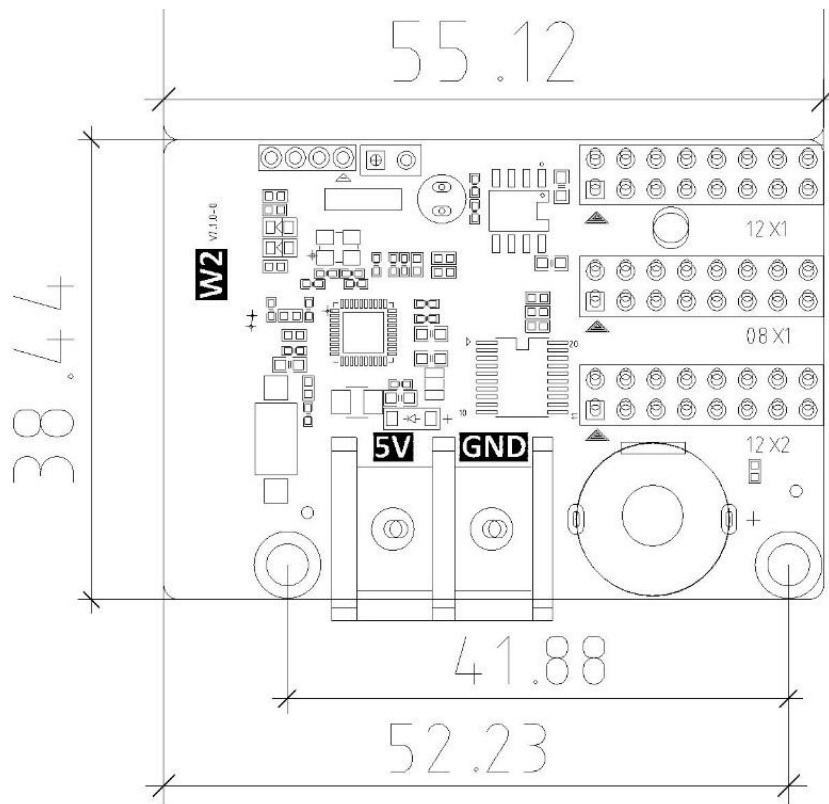
3. Function List

Content	Function description
Control range	Single color: 512* 32,Max Width: 1024 Max Height: 32
FLASH Capacity	1M Byte (Practical usage 512KB)
Communication	Wi-Fi
Program Quantity	Max 1000pcs Programs.
Area Quantity	20 areas with separate zone, and separated special effects and border
Display Showing	Text, Time, Timekeeping, Count, Lunar calendar
Display	Sequence display, button switch
Clock Function	1. Support Digital Clock/ Dial Clock / Lunar Time 2. The font, size, color and position can be set freely 3. Support multiple time zones
Automatic switch screen	Support timer switch machine
Dimming	Supports manual adjustment, adjustment by time period
Working Power	3W

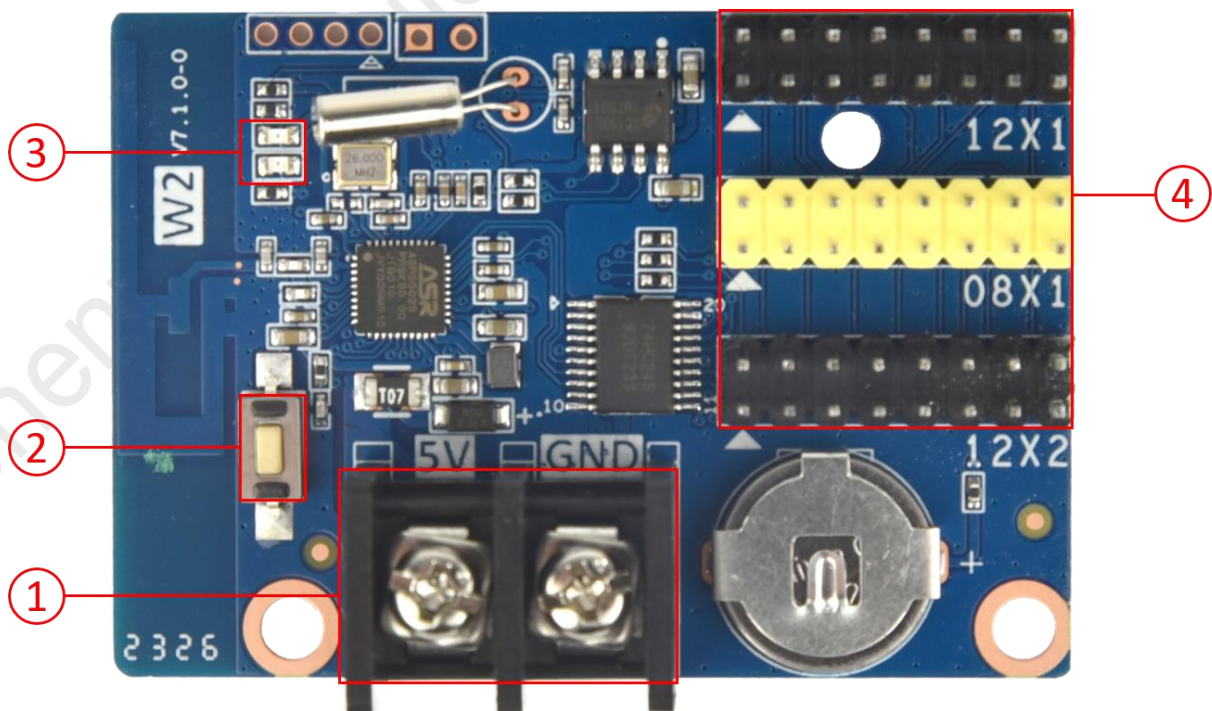
4. Port Definition



5. Size Diagram



6. Interface Description



Serial number	Name	Description
1	Power input	Connect to a 5V DC power supply
2	Test key	click to switch screen test status
3	Indicator light	Normal power-on power indicator constant, Wi-Fi normal operation indicator blinking
4	HUB ports	2 HUB12,1 HUB08,For connecting to the display

7. Basic Parameters

Parameter Term	Parameter Value
Work voltage (V)	DC 4.2V-5.5V
Work temperature (°C)	-40°C~80°C
Work humidity (RH)	0~95%RH
Storage temperature(°C)	-40°C~105°C

Precautions:

- 1) To ensure that the control card is stored during normal operation, make sure the battery on the control card is not loose;
- 2) In order to ensure the long-term stable operation of the system; please try to use the standard 5V power supply voltage.