

PRODUCT SPECIFICATION

Colorful LED Control Card
HD-WF4

V7.0

1. Overview

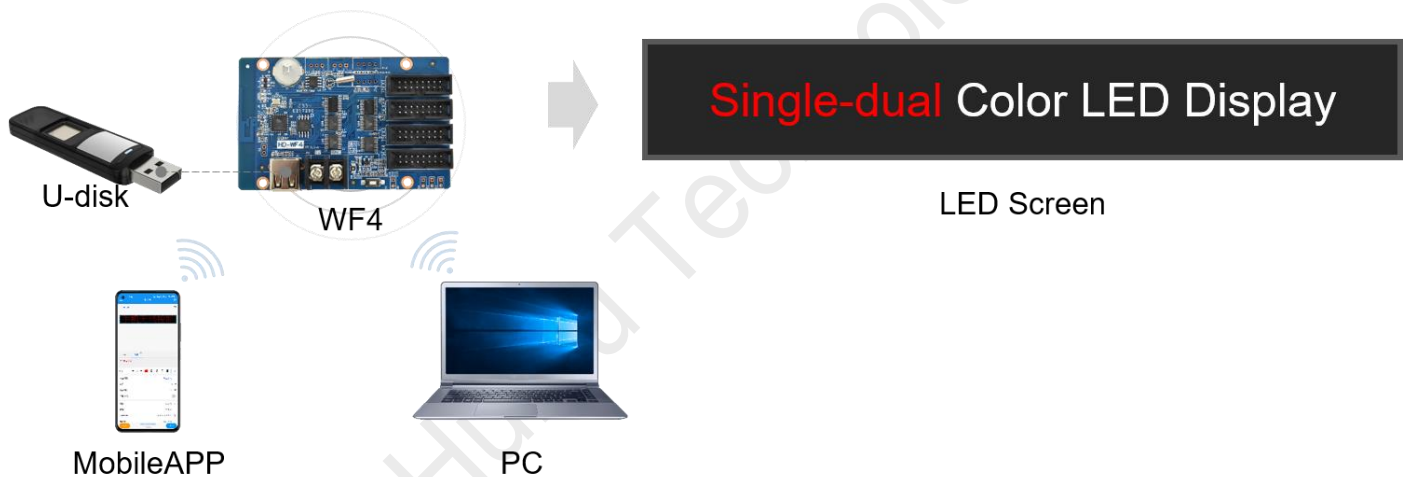
HD-WF4 (referred to as WF4) is a Wi-Fi control card for dazzle display, with 4 HUB75E interface on board, which supports playing text, animated words, GIF animation, timing and other kinds of programs, and supports two ways of updating the programs, Wi-Fi and U-disk, and it is suitable for door displays, store signboards and other occasions. The supporting software has a simple interface, easy to operate, and is characterized by high cost performance.

Application Software:

PC: HDSign (HD2020);

Mobile: "LedArt APP" and "LedArt lite APP";

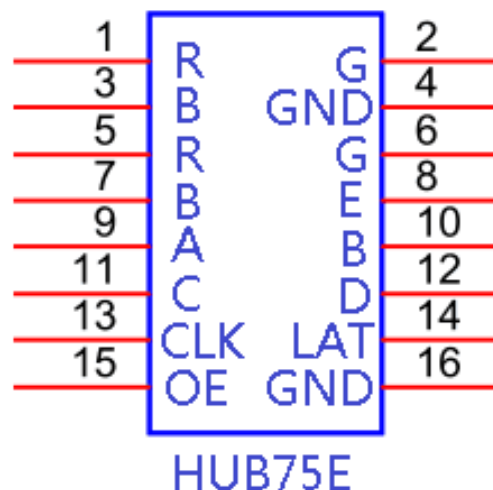
2. Connection Diagram



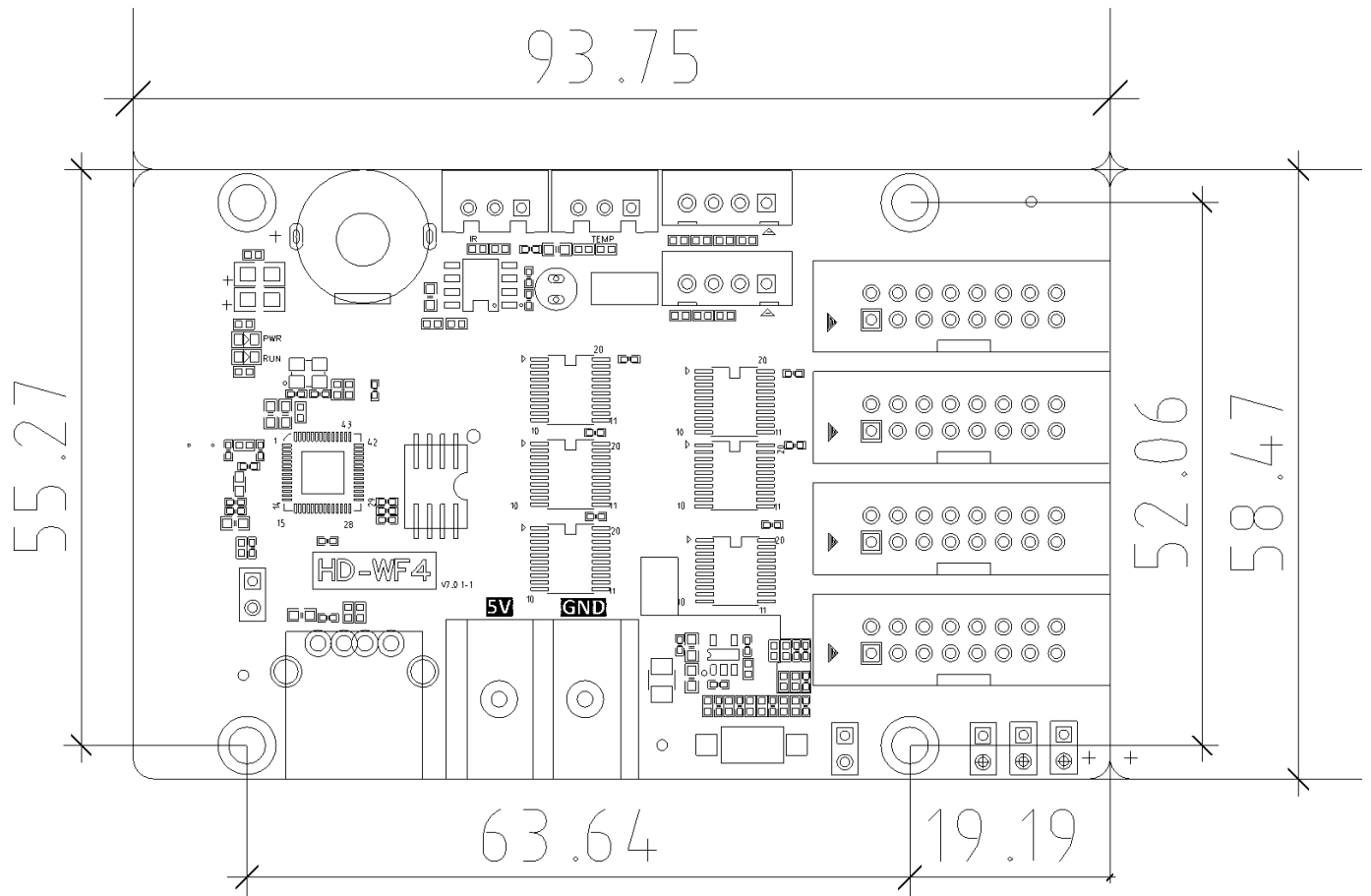
3. Function List

Content	Function description
Module Type	Supports full color module with HUB75 interface, supports regular and 2038S chip
Scanning Method	Supports static to 1/32 sweep
Control Range	768*128,Max Width:1280; Max Height:256
Communication	U-disk, Wi-Fi
FLASH Capacity	8M Byte (Practical usage 4.5M Byte)
Support Seven Colors	No gray scale can display red, green, blue, yellow, purple, cyan, white
Support Full Color	Up to 8 levels of grayscale, support dazzling color text
Number of Programs	999
Area Quantity	20 areas with separate zone, and separated special effects and border
Display Showing	Text, Animated characters, 3D characters, Graphics (pictures, SWF), Excel, Time, Temperature (temperature and humidity), Timing, Counting, Lunar calendar
Automatic Switch Screen	Support timer switch machine
Expandable Devices	Temperature, remote control, photosensitive, etc.
Dimming	Brightness adjustment, adjustment by time period
Power Supply Method	Standard terminal block power supply

4. Port Definition

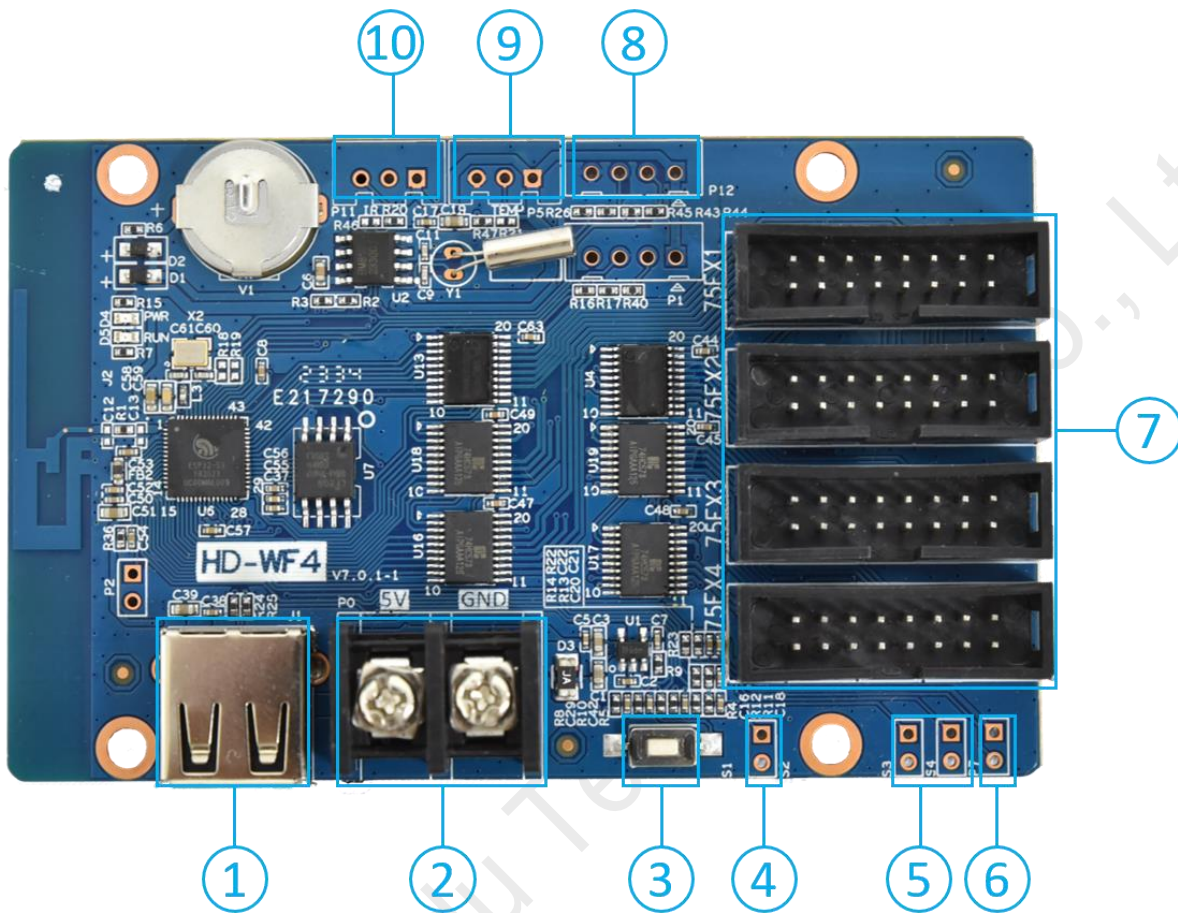


5. Size Diagram



Shenzhen Huidu

6. Interface Description



Serial number	Name	Description
1	USB ports	Updated program by U-disk
2	Power inport	Connect to a 5V DC power supply
3	Test key S1	For test display, multiple status selection
4	Keypad ports S2	Connect the point switch, switch to the next program, the timer starts, count plus
5	Keypad ports S3,S4	S3:Connect the point switch, switch the previous program, timer reset, count down S4:Connect the point switch, program control, timing pause, count reset
6	P7	Connected to a brightness sensor to automatically adjust the brightness of the LED display
7	HUB ports	1 HUB75, connect LED display module
8	P12	For connection to dust particle sensors
9	P5	Connect the temperature sensor, display of the value on the LED screen
10	P11	Connect the infrared receiver and use it with the remote control.

7. Basic Parameters

Parameter Term	Parameter Value
Work voltage (V)	DC 4.2V-5.5V
Work temperature (°C)	-40°C~80°C
Work humidity (RH)	0~95%RH
Storage temperature(°C)	-40°C~105°C

Precautions:

- 1) To ensure that the control card is stored during normal operation, make sure the battery on the control card is not loose;
- 2) In order to ensure the long-term stable operation of the system; please try to use the standard 5V power supply voltage.