

PRODUCT SPECIFICATION

Receiving Card
HD-R712

Update History

Version	Release time	Description
V2.1	Sept. 20, 2023	Update dimensions and content layout.
V1.0		First official release.

Shenzhen Huidu Technology Co., Ltd.

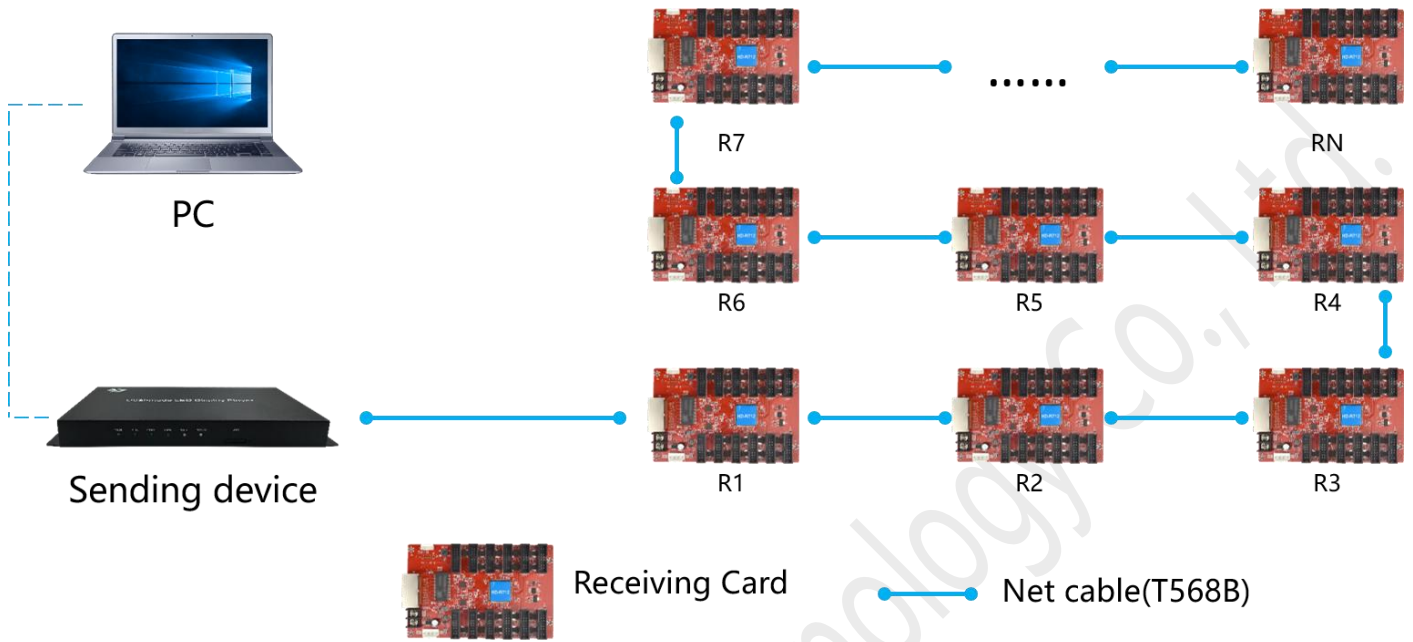
1. Overview

R712 is an LED display receiving card that supports both synchronous and asynchronous control system, no need HUB adapter board. It is equipped with 12*HUB75E interface onboard, with a good stability, the maximum loading capacity is 131,072 pixels.

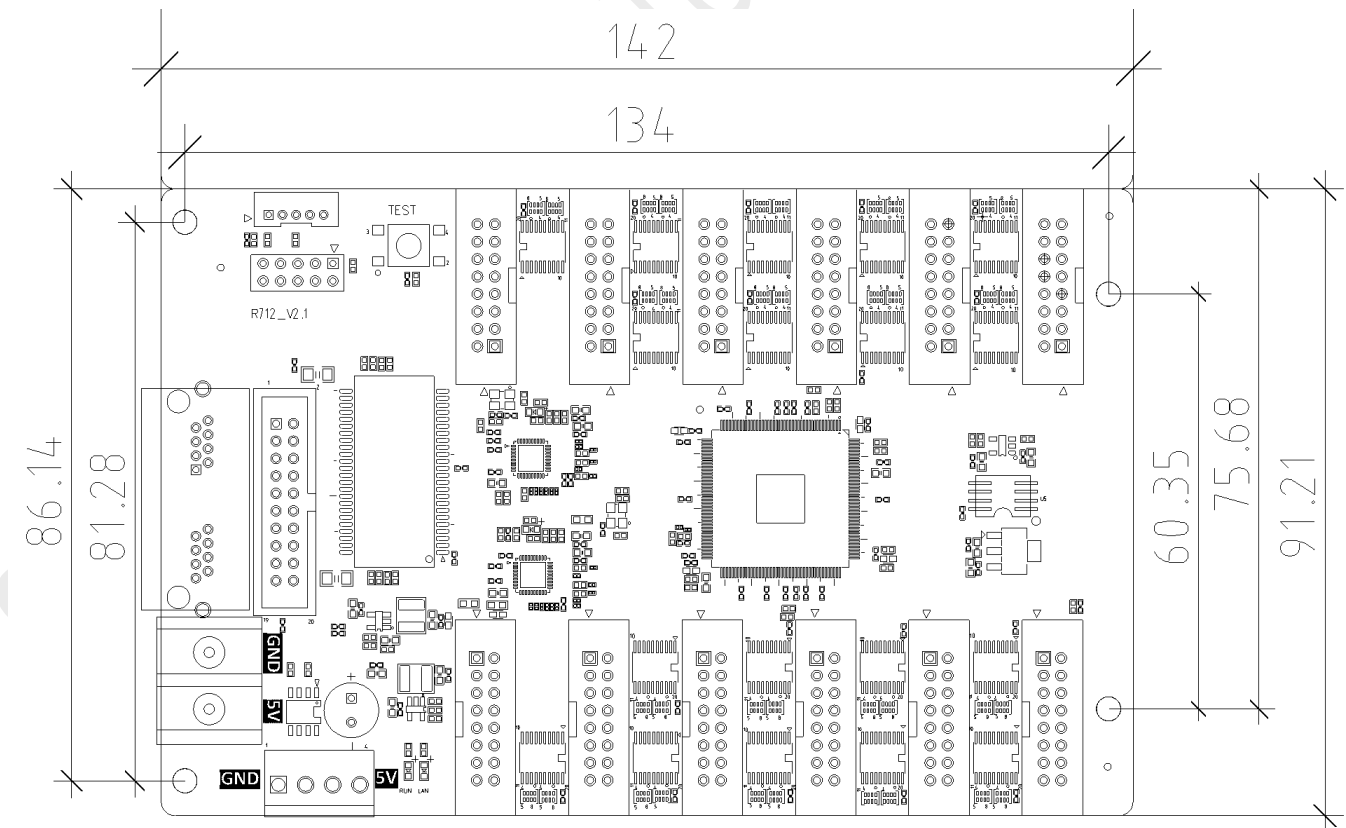
2. Parameters

Features	Parameters
With sending card	Dual-mode sending box, Asynchronous sending card, Synchronous sending card, Video processor of VP series.
Module type	Compatible with all common IC module, supported most PWM IC module.
Scan mode	Supports any scanning method from static to 1/128 scan
Communication method	Gigabit Ethernet
Control range	Maximum loading capacity: 262,144 pixels (512*512) Recommended loading capacity: conventional chip 128*1024 pixels, PWM chip 256*1024pixels Note: The actual loading capacity is related to the number of HUB ports/module resolution.
Multi-card connection	Receiving card can be put in any sequence
Gray scale	256~65536
Smart setting	A few simple steps to complete the smart settings, through the screen layout can be set to go with any alignment of the screen unit board
Test functions	Receiving card integrated screen test function, Test display brightness uniformity and display module flatness.
Communication distance	Super Cat5, Cat6 network cable within 80 meters
Port	DC 5V Power*2, 1 Gbps Ethernet port*2, HUB75E*12
Input voltage	4.0V-5.5V
Power	5W

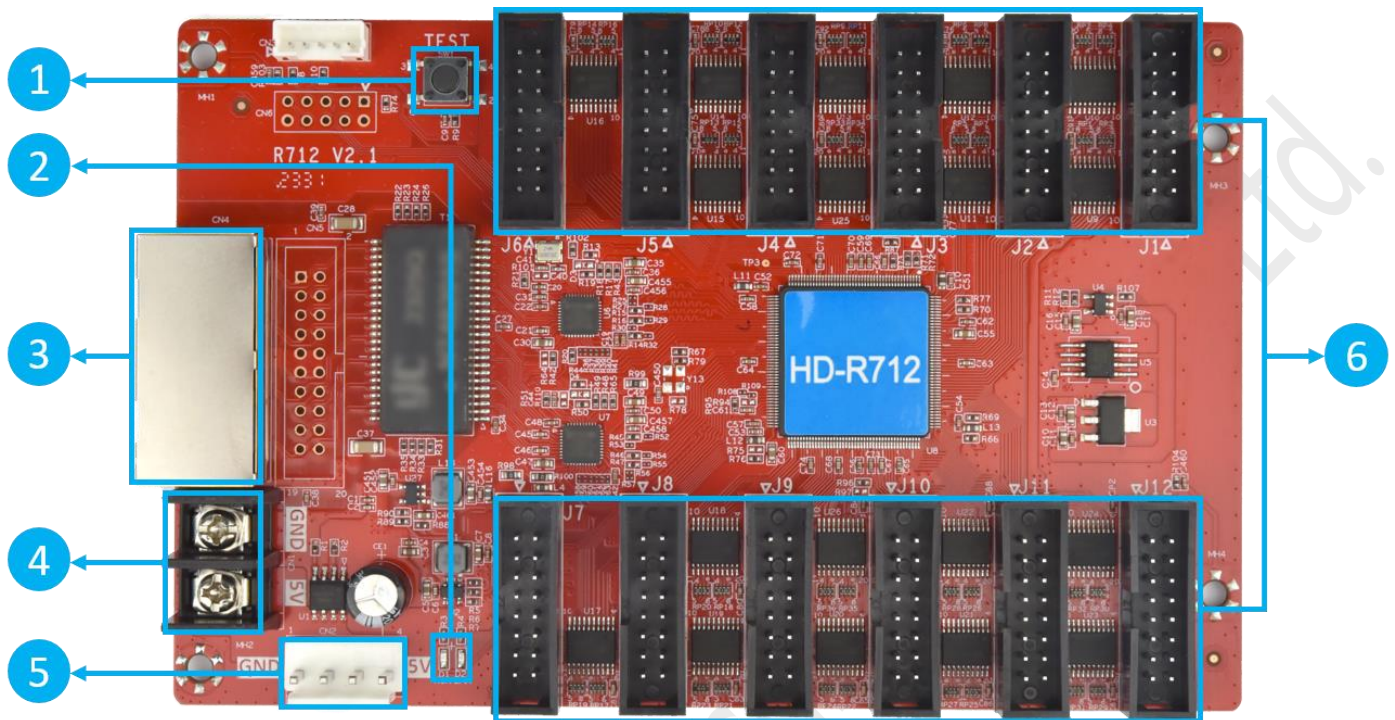
3. Connection Method



4. Dimensions

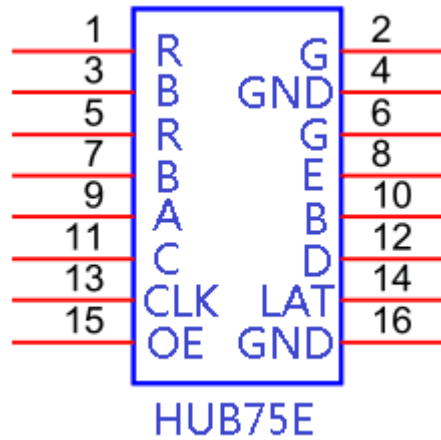


5. Interface Description



No.	Interface	Description
1	Test button	Used to test display brightness uniformity and display module flatness.
2	Work indicator	D1 flashes to indicate that the control card is running normally. D2 flashes quickly to indicate that Gigabit has been recognized and data is being received.
3	Gigabit Ethernet port	Used to connect the sending card or receiving card, the same two network ports are interchangeable.
4	Power interface	Can be accessed with 4.0V ~ 5.5V DC voltage.
5	Power interface	Can be accessed with 4.0V ~ 5.5V DC voltage.
6	Flat cable interface	12 HUB75E interface, connect to the LED modules by flat cable.

6. Interface Definition



7. Technical Parameters

Item	Parameter value
Rated Voltage (V)	DC 4.0V-5.5V
Working Temperature (°C)	-40°C~80°C
Working Environment Humidity (%RH)	0~90%RH
Storage Environment Humidity (%RH)	0~90%RH
Net weight (g)	≈91g

Precautions:

- 1) Ensure the system long-term stable running, please use the standard power supply.
- 2) Please do not operate with electricity
- 3) Due to the production batch and other reasons, there may be a slight error between the photo and the real thing. If in doubt, please confirm with us.